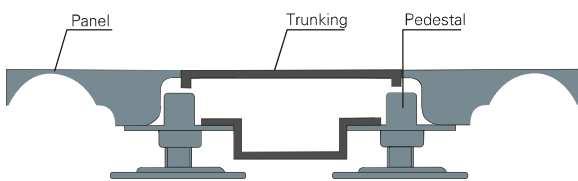
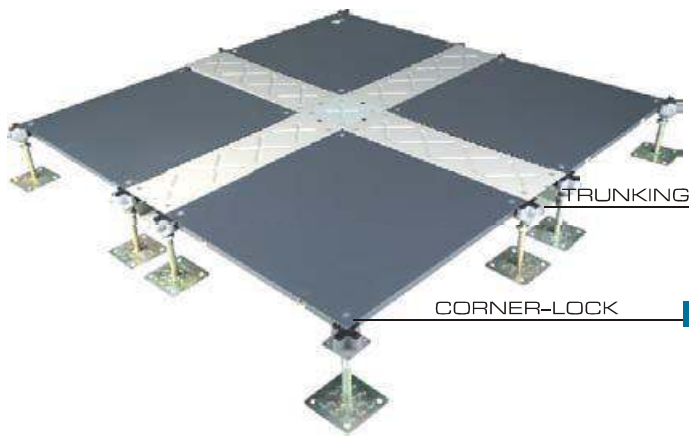


**CTLINK RAISED ACCESS FLOOR SYSTEMS**





### CT50-A-C5 PANEL

#### Wire Trunking System

A workstation can be easily and quickly relocated with cable management without disruption. Convenient for connecting wire at any point without cutting floor. Suitable for all kinds of plug socket terminals. Adjustable wire-connected location.



### CT50-C2 PANEL

#### Feature

OA access floor system effectively reduces energy cost and improves inside air quality, makes it to be green office environment.



CT50



CT50-C1



CT50-C2



CT50-C13

Type		Size	Concentrated	Impact Load	Ultimate Load	Uniform Load	Rolling Load		Remarks
International		mm	N	N	N	N/M <sup>2</sup>	10 Passes	10000 Passes	
OA668	HDG500 28QG	500 × 500 × 28	≥ 2990	670	≥ 8890	≥ 12500	2215	1548	
OA800	HDG500 28QG	500 × 500 × 28	≥ 3596	670	≥ 10799	≥ 19796	2959	2215	
OA1000	HDG500 28BG	500 × 500 × 28	≥ 4498	670	≥ 13494	≥ 23294	3596	2959	

# STEEL CEMENTITIOUS PANEL



## CT50 OA PANEL



### Structure

CT50 OA panel is made of steel plate, top to be SPCC material, bottom to be ST14 material, after pan formed and joined together by resistance welding, the panel is coated with epoxy paint, then infilled with light cement.

### Size

500mm×500mm

### Feature

- All-steel structure, nice loading capacity
- Excellent fire resistance ability
- Good dimension accuracy, panel can be interchangeable



# STEEL CEMENTITIOUS PANEL



## CT50-B PANEL

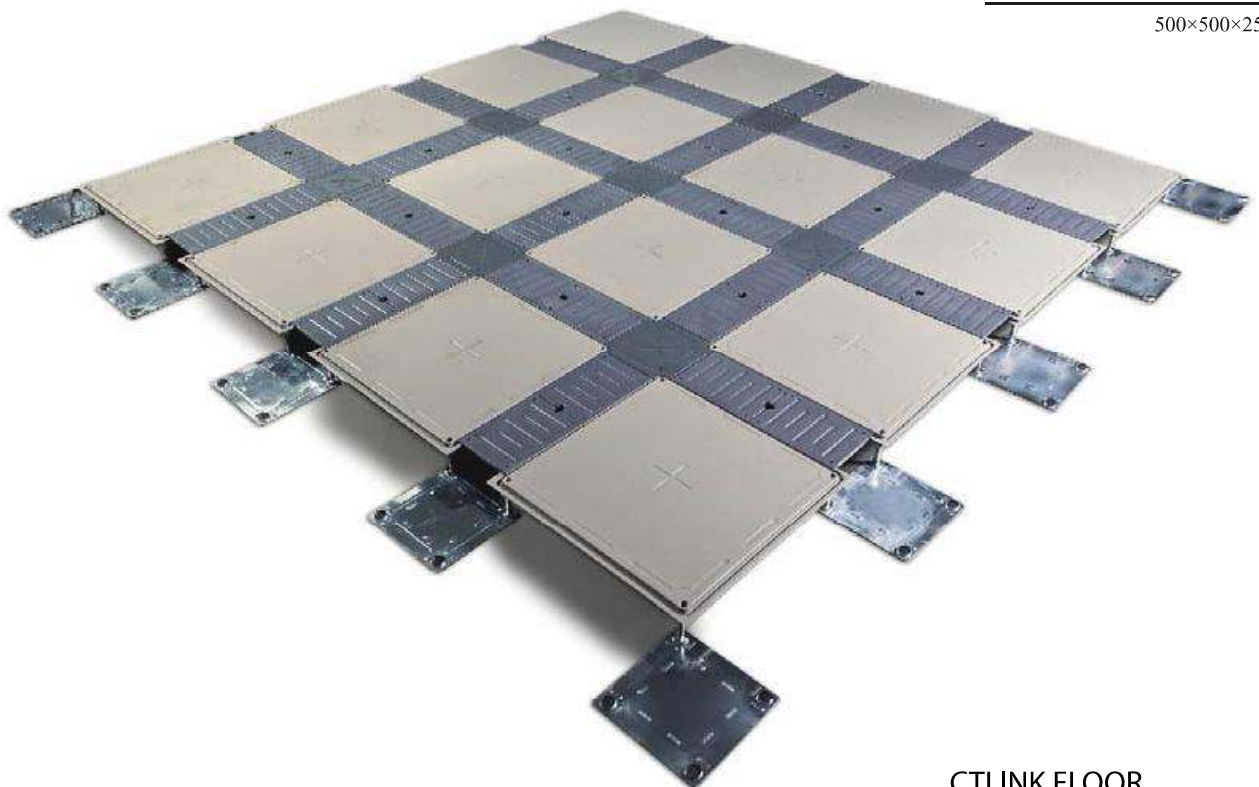


### Structure

CT50-B panel is elevated innovation and breakthrough, comparing with traditional access floor system. The new CT50-B series has the same advantage of CT50 panel, but more convenient, environmental protected. Now it is widely used in Japan, Qatar, Bahrain, Korea and other countries.

### Size

500×500×25mm





## Product Description

CT50-B panel is supported by 4 pedestals and flank cap and central cap.

## Feature

- Environmental protected, economical and recyclable.
- Light weight, 1/2 to 2/3 of common access floor.
- Good conductivity and air leakage, flexible trunks for wires and cables.
- Specially designed for low finished flooring height



## Trunking

Trunking for wires is one of the advantages of CLINK trunking floor. Cover flank covers on basic panel edges after lying wires in trunks. Each panel stands separately, making it very convenient to lie flank cover before or after wires.



Type		Size	Concentrated	Impact Load	Ultimate Load	Uniform Load	Rolling Load		Remarks
International		mm	N	N	N	N/M <sup>2</sup>	10 Passes	10000 Passes	
OA668	HDG500 25QG	500 × 500 × 25	≥ 2990	670	≥ 8890	≥ 12500	2215	1548	
OA800	HDG500 25QG	500 × 500 × 25	≥ 3596	670	≥ 10799	≥ 19796	2959	2215	
OA1000	HDG500 25BG	500 × 500 × 25	≥ 4498	670	≥ 13494	≥ 23294	3596	2959	

# STEEL CEMENTITIOUS PANEL



Intertek



## CT60 0A PANEL



### Structure

CT60 0A panel is made of steel plate, top to be SPCC material, bottom to be ST14 material, after pan formed and joined together by resistance welding, the panel is coated with epoxy paint, then infilled with light cement.

### Size

600×600×35mm

### Feature

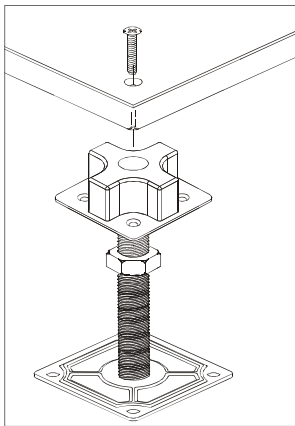
Embossment structural. Enhance the concentrated load capability.



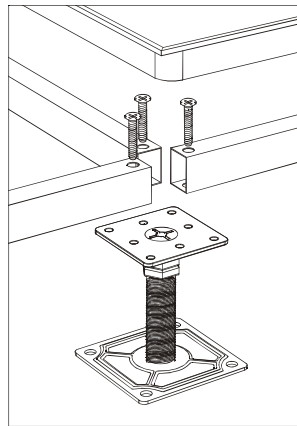
SPCC steel

Light cement

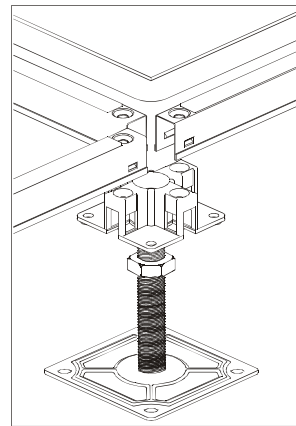
ST14 steel



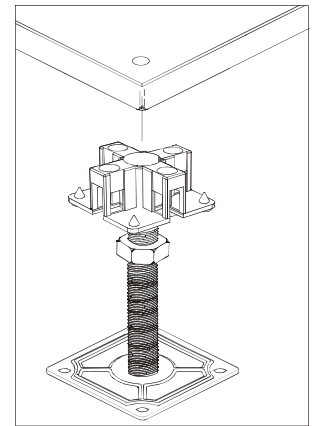
CORNER LOCK SYSTEM



BOLT-ON STRINGER SYSTEM



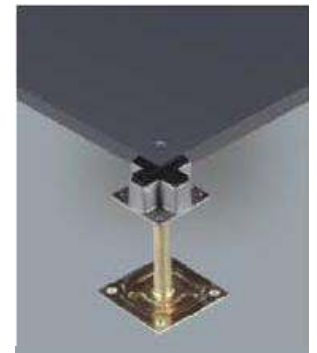
FREE STANDING SYSTEM



SNAP-ON STRINGER SYSTEM

## Structure

- Screw down design supports the system effectively and makes the installation easily and stable.
- The load is transferred directly onto the center of pedestal column.
- Different types of understructures are available for install OA panel system.



Type		Size	Concentrated	Impact Load	Ultimate Load	Uniform Load	Rolling Load	Remarks
International		mm	N	N	N	N/M <sup>2</sup>	10 Passes	10000 Passes
FS668	HDG600 35QG	600 × 600 × 35	≥ 2990	670	≥ 8890	≥ 12500	2215	1548
FS800	HDG600 30QG	600 × 600 × 30	≥ 3596	670	≥ 10799	≥ 19796	2959	2215
	HDG600 35BG	600 × 600 × 35						
FS1000	HDG610 35BG	610 × 610 × 35	≥ 4498	670	≥ 13494	≥ 23294	3596	2959
	HDG600 35ZG	600 × 600 × 35						
FS1250	HDG610 35ZG	610 × 610 × 35	≥ 5595	670	≥ 16797	≥ 33084	4498	3596
	HDG600 35ZG	600 × 600 × 35						
FS1500	HDG610 35ZG	610 × 610 × 35	≥ 6693	670	≥ 20090	≥ 42581	5595	4498
	HDG600 35ZG	600 × 600 × 35						
FS2000	HDG610 35ZG	610 × 610 × 35	≥ 8898	670	≥ 26685	≥ 49784	6693	5595
	HDG600 35ZG	600 × 600 × 35						
FS2500	HDG610 35ZG	610 × 610 × 35	≥ 11093	670	≥ 33290	≥ 58280	8898	6693
	HDG600 35ZG	600 × 600 × 35						

# UNDER STRUCTURE



## Stringers

Stringers provide lateral resistance to heavy rolling loads & seismic loading.

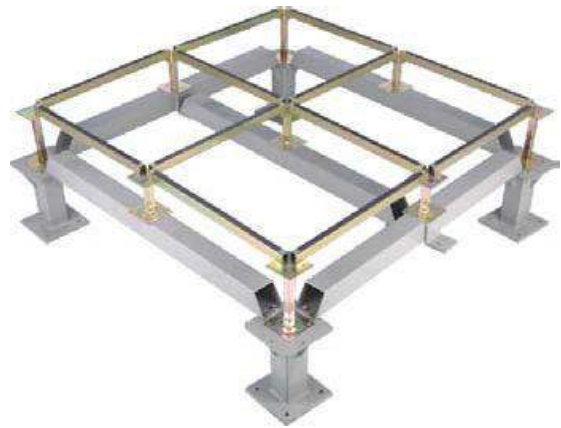


## Heavy pedestal



C01 C02 C03 C04

## Cross head pedestal



## Seismic pedestal



F06 F01 F02 F05

## Flat head pedestal



W03 W04 W07 W09

## Round head pedestal



## Ramp pedestal



## Pedestal bracing

Finished flooring height (FFH) from 80mm to 2,000mm is available, with high loading strength.



Φ38 Φ32

## Bracing kit

CTLINK FLOOR  
www.baohagroup.com.vn



# FLOORING ACCESSORIES



Intertek



CTLINK FLOOR presents and extensive choices for accessories, including electrical boxes, grommets, panel lifters and air diffuser and so on



Round brush grommet



Surface brush grommet



Split integral grommet



Round grommet



Square grommet



Integral grommet



Panel lifter



Outlet box B



Outlet box C

**CTLINK**  
**Bao Ha Group**

**Hanoi Office:**  
No. 11, 67/5 Lane, Nguyen Van Cu Str.,  
Ngoc Lam Ward, Long Bien Dist.,  
Hanoi, Vietnam  
Tel/Fax: 844 36274706  
Hotline: 84 902288843  
Email: [contact@baohagroup.com](mailto:contact@baohagroup.com)  
Website: <http://www.baohagroup.com.vn>

**HCM Office:**  
No. 5/7, Nguyen Sieu Str.,  
Ben Nghe Ward, District 1,  
Ho Chi Minh, Vietnam  
Tel/Fax: 848 36274706  
Hotline: 84 902288875  
Email: [contact@baohagroup.com](mailto:contact@baohagroup.com)  
Website: <http://www.baohagroup.com.vn>